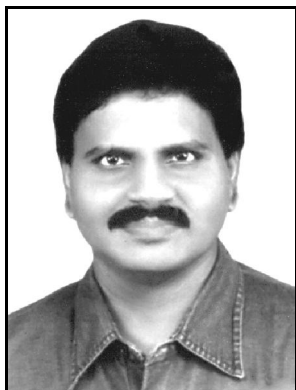


CAR FESTIVAL?...("RAMANUJAM CAR")

M. Arulmani, B.E.; V.R. Hema Latha, M.A., M.Sc., M. Phil.

M.Arulmani, B.E.
(Engineer)m.arulmani58@gmail.comV.R.Hema Latha, M.A., M.Sc., M.Phil.
(Biologist)vrhemalatha58@gmail.com

In the present day living world "CAR" is considered as "Status symbol" of human society. It also determines the state of official capacity like **car of King**, **car of President**, **car of Prime Minister** of global nations.

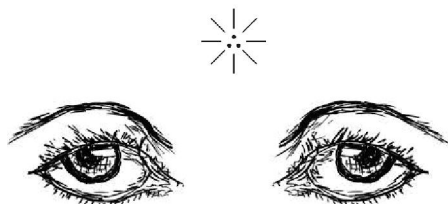
- i) *Car needs FOUR WHEELS?...*
 - ii) *Car differs from CART?...*
 - iii) *Car differs from CHARIOT?...*
 - iv) *Car differs from VEHICLE?...*
- ...Author

[M. Arulmani, B.E.; V.R. Hema Latha, M.A., M.Sc., M. Phil. **CAR FESTIVAL?...("RAMANUJAM CAR")**. *Rep Opinion* 2015;7(9):24-29]. (ISSN: 1553-9873). <http://www.sciencepub.net/report>. 4

Keyword: world; CAR; Status symbol; Minister; global nations.

- i) *Car needs FOUR WHEELS?...*
 - ii) *Car differs from CART?...*
 - iii) *Car differs from CHARIOT?...*
 - iv) *Car differs from VEHICLE?...*
- ...Author

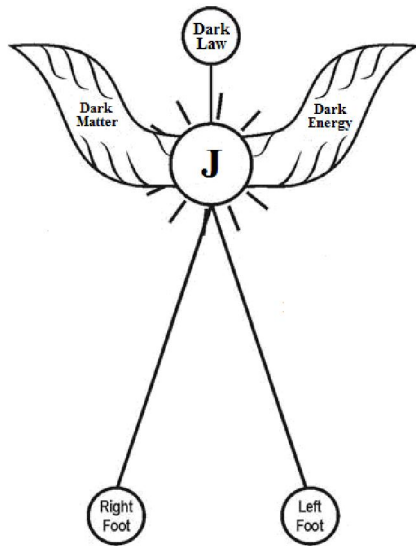
(i)



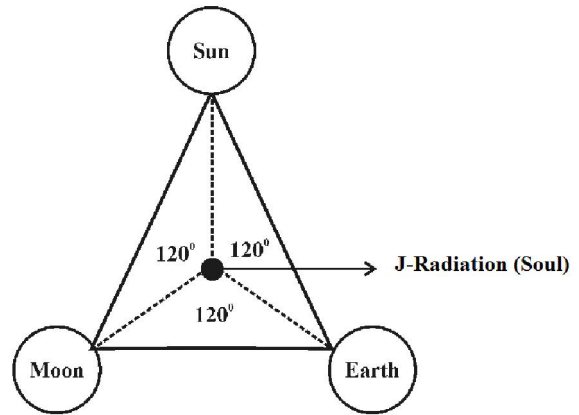
JANAKI
(Virgin Mother)
(POPE)

This scientific research article focus that the creator of the universe shall be considered as **Supernatural person** called by name by author as "RAMANUJAM". **RAMANUJAM** shall be considered as have created the entire universe through his 'MOTHER JANAKI' (Souls) who shall be considered as integral part of **RAMANUJAM**. **JANAKI** shall also be called by author as "POPE". **POPE** shall mean "VIRGIN MOTHER" and source of **Universal Energy** required for "RAMANUJAM CAR". The philosophy of **RAMANUJAM**, **JANAKI** shall be described.

(ii)



**RAMANUJAM
(Andavar)
(GOD)**



**CAR BASE FRAME
(Three-in-One Foundation)
(KARTHIKAI)**

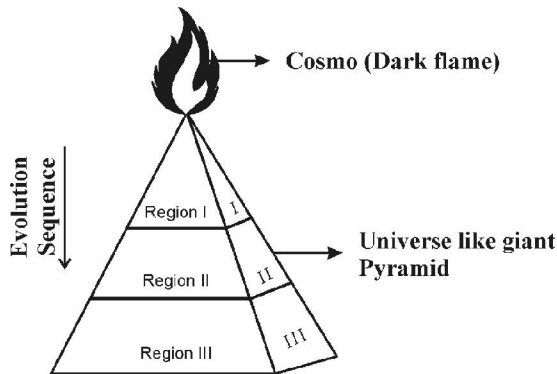
It is further focused that the 'SPACE CAR' manufactured by RAMANUJAM shall be considered having only **THREE WHEELS** rather than four wheels contained by modern conventional car. The philosophy of "RAMANUJAM CAR BASE FRAME" having **three-in-one** wheel system (chasis) shall be described.

- i) "SUN" is like **FRONT WHEEL** (Control)
- ii) "EARTH" is like **LEFT WHEEL** (Structural)
- iii) "MOON" is like **RIGHT WHEEL** (Functional)

b) **RAMANUJAM CAR is ENERGY EFFICIENT?...**

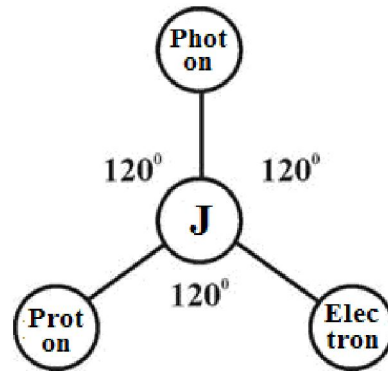
a) **Philosophy of Ramanujam Car?...**

It is focused that the entire universe created by Ramanujam shall be considered as like a **CAR** having three-in-one compartments required for the **sustainability of Universal matters**. In proto Indo Europe root the **CAR** shall be called as "VINKALAM". Vinkalam shall mean "SPACE CAR".



**விண்கலம்
(RAMNUJAM SPACE CAR)
(Three Tier Universe)**

- Region I- Antineutrinos radiation region (Black radiation)**
- Region II - Neutrinos radiation region (Stardust radiation)**
- Region III - EMR and Matter region (Einstein region)**

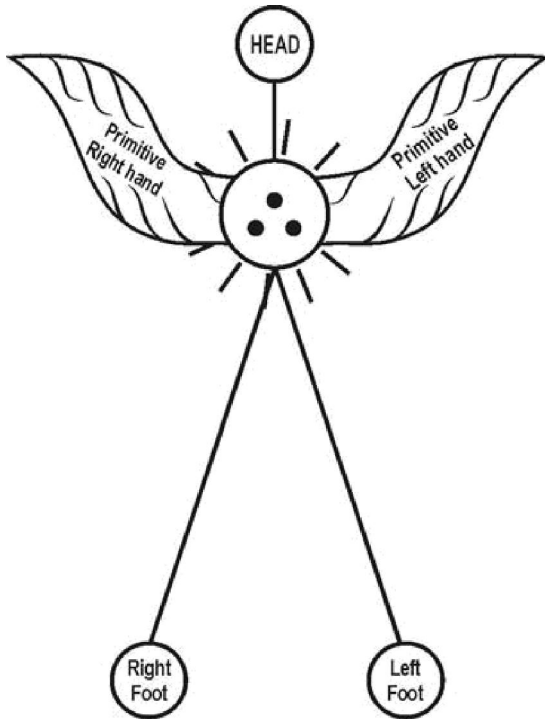


**NATURAL FUEL
(White Fuel)
(UNIVERSAL ENERGY)**

It is focused that **RAMANUJAM CAR** shall be considered as **100%** energy efficient deriving "NATURAL FUEL" from **J-RADIATION (Soul)** and free from **FOSSIL FUEL ELEMENTS (HCNO)** for keeping the Universe under clean Environmental

condition. The philosophy of **NATURAL ENERGY FUEL** shall be represented as below:

- c) **Philosophy of Fuel grade?...**
- d) It is focused that **HUMAN ANCESTORS** shall be considered lived in **MARS PLANET** in the early Universe (5,00,000 years ago). The **MARS ANCESTORS** considered require “**NO NEED OF CAR**” as they belong to “**ANGEL RACE**” and capable of “**FLYING**” for going one place to another place. The male and female angel populations shall also be called as **RATHAM, RATHI**.
- e) During the course of expanding Universe say during **DARK AGE** the Angel populations (Brahmas) considered transformed to **EARTH PLANET** (3,00,000 years ago) and gradually lost their capability of “**FLYING**”. Further the Ancient populations on the Earth planet shall be considered used **CHARIOT** with four wheels, six wheels powered by Animals. During the course of time various vehicles shall be considered evolved and powered by various fuels of varied grade in three generations of **expanding universe**.



இரதம்
(Brahma)
(TEMPLE)

f) **PHILOSOPHY OF VEHICLE EVOLUTION?...**

It is hypothesized that in Hindu mythology the philosophy of **BRAHMA, RAMA, KRISHNA, SHIVA** shall be considered as distinguished genetically varied personalities belongs to various phases of cosmological periods and used **different types of vehicles** in the respective period as narrated below:

- i) **RAMANUJAM** (like **GOD**) – “**SPACE CAR**”
- ii) **JANAKI** (like **POPE**) – “**CAR ENERGY**”.
- iii) **BRAHMA** (like **PROPHET**) – “**ANGEL (RATHAM)**”
- iv) **RAMA** (like **APOSTLE**) – “**CART (CHARIOT)**”
- v) **KRISHNA** (like **EVANGELIST**) – “**PRIMARY CAR**”
- vi) **SHIVA** (like **BISHOP**) – “**FOUR WHEEL CAR**”

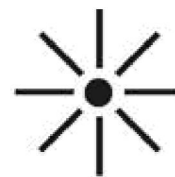
The Philosophy of **PRIMARY CAR** shall be considered as energy efficient car having only three wheels and subject to higher earth gravity as described below.



KRISHNA CAR
(Energy Efficient Car)

The philosophy of space car, chariot, vehicle shall be distinguished for universal understanding

(i)



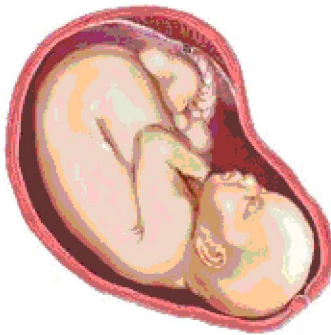
விண்கலம்
(Virgin Mother)
(POPE)

(ii)



**இரதம்
(Brahma)
(PROPHET)**

(iii)



**வண்டி
(Rama)
(APOSTLE)**

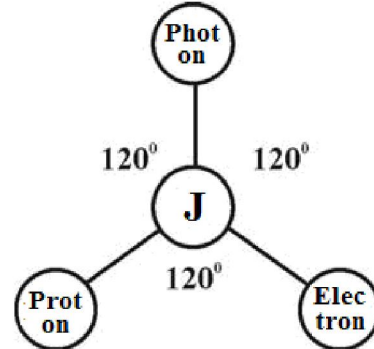
(iv)



**வாகனம்
(Krishna)
(EVANGELIST)**

g) **Principle of NATURAL JUSTICE?...**

It is focused that the Angel population (Brahmas) considered lived in MARS planet having flying capability for going one place to other place. If so... Angel populations must have followed certain traffic rules for regulation of **TRAFFIC**. Presently global nations across the world having their own traffic rules, environment rules, sea border rules, land border rules. It is hypothesized that the angel population shall be considered as followed the principle of **NATURAL JUSTICE** as describe below. Natural justice shall mean **GODLY** rule and highly ethical based.



(NATURAL JUSTICE)

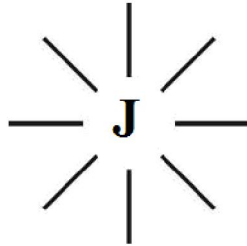
- i) **PROTON** is like **ACHARIYA** (like **KRISHNA**)
- ii) **ELECTRON** is like **SUBRAMANIYA** (like **RAMA**)
- iii) **PHOTON** is like **ADITHIYA** (like **Adi BRAHMA**)
- iv) **J-RADIATION** is like **KARTHIKEYA** (like **JANAKI**)

It is focused that in cosmological language **RAMANUJAM, JANAKI** shall be distinguished as below. Ramanujam is like temple and Janaki is like Pope. Ramanujam is like law and Janaki is like natural justice. Ramanujam is like spirit and Janaki is like soul.

CASE STUDY

In Hindu philosophy “Ratha Yatra” is considered as annual “Temple Car Festival”. In the beginning of Temple Car Festival Prayer being offered to “Jaganatha Dev” (Pronounced also as “Juggeranaut”). In England a week long Ratha Yatra Festival is to be celebrated (July 8 – 14) in Birmingham and this festival has been in practice since 14th century.

This scientific research focus that “CAR FESTIVAL” shall be considered closely associated with “COSMO UNIVERSE”, i.e. “RAMANUJAM” is like “HOLY TEMPLE” and “JANAKI” is like “POPE” and “CAR OF RAMANUJAM”. The philosophy of “CHARIOT” mentioned in “RIG VEDHA” shall be considered as “HOLY CAR” and Transporting media of “ANGEL ANCESTORS (BRAHMAS) who considered lived in MARS PLANET in the early universe.



POPE
(Virgin Mother)

The philosophy of various transports like CAR, CART, CHARIOT, VEHICLE shall be considered derived from Universal Space Car “JANAKI”.



The Car of Juggernaut, as depicted in the 1851 Illustrated London Reading Book



Coach driver 2000 B.C.E. Harappa, Indus Valley Civilization



Hand-propelled wheel cart, Indus Valley Civilization (3000–1500 BCE). Housed at the National Museum, New Delhi.

புதுக்கவிதை**(பெண் சுதந்திரம்)
(MOTHERS DAY)**

CARING CAR

சுமை தாங்கி சாய்ந்தால்...

சுமை என்ன ஆகும்?...

எத்தனை காலந்தான் பெண் அடிமையாயிருப்பது?...

ஆணுக்கு ஒரு நீதி... பெண்ணுக்கு

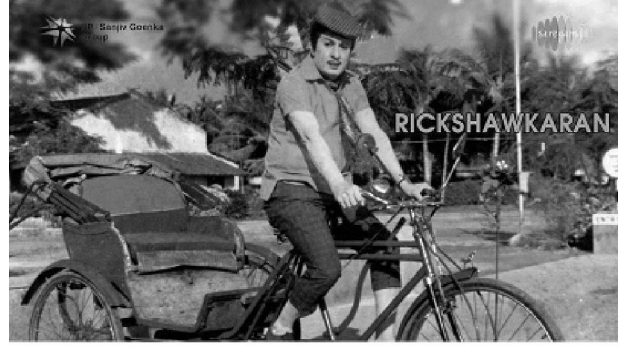
ஒரு நீதியா?... போதும்... போதும்...

பொறுத்தது போதும்...

மேலும் மேலும் புகழ வேண்டாம்...

அமைதியாக இருங்கள்... இல்லையேல்...

பாதிபில் இறக்கிவிட்டுவிடுவேன் (Divorce).

— M அருள்மணி
தமிழ்ப்பேசம் இந்தியன்.**POOR PEOPLE CAR
ENERGY EFFICIENT VECHILE
(1972 National Film Award for best actor)****Previous Publications:**

1. YUGADI WISHES (IARA, March 2015)
2. TAMIL PUTHANDU!... (AJER, April 2015)
3. THEN MADURAI?... (IJERD, April 2015)
4. TAMIL NEW YEAR COOL DRINK?... (AJER, April 2015)
5. SCIENTIFIC RAMANUJAM?... (IJERD, April 2015)
6. ARENKA NAYAKI IS MOTHER OF RAMA?... (AJER, April 2015)
7. TRIVIDAITE?... (IJERD, April 2015)
8. THALI CULTURE OF ANGELS?... (AJER, April 2015)
9. UNIVERSAL POET?... (IJERD, April 2015)
10. "JANGLISH" IS CHEMMOZHI?... (AJER, April 2015)
11. RAMANUJAM PARLIAMENT?... (IJERD, May 2015)
12. CAN LORD JUDGE GOD?... (AJER, May 2015)
13. MAY DAY?... (IJERD, May 2015)
14. DEEMED UNIVERSITY?... (AJER, May 2015).

9/17/2015